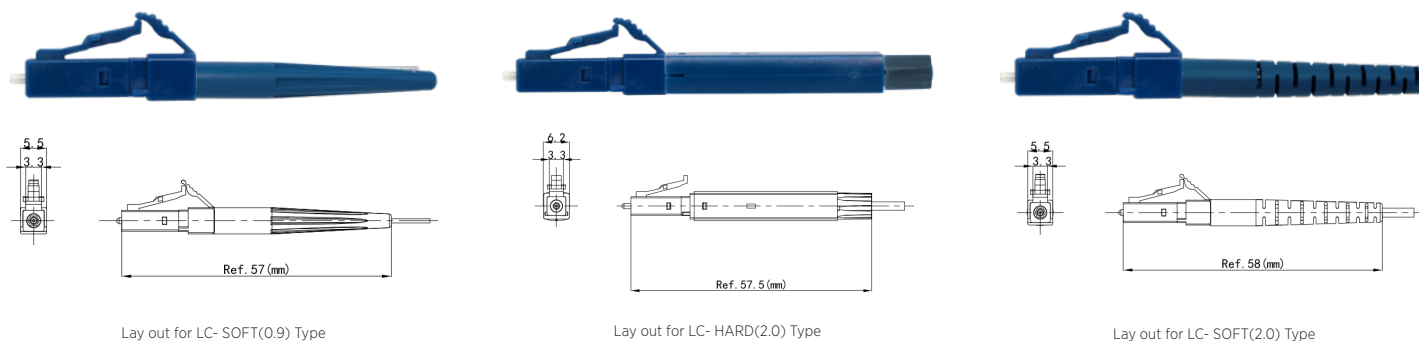


Foxtails - Splice on Connector

Foxtail - LC Type

The Fibre fox SOC Connector range has been designed for quick on site splice connectivity with great low loss levels and high durability. To be used with the Fibre fox range of fusion splicers.

The connectors are available for Single-mode and Multi-mode fibre and with a choice of strain relief boot depending on fibre type.



Lay out for LC- SOFT(0.9) Type

Lay out for LC- HARD(2.0) Type

Lay out for LC- SOFT(2.0) Type

Features & Benefits

- Designed for quick on site splice connectivity
- Great low loss levels
- High durability
- Also available in FC, SC and ST for Single-mode and Multi-mode fibre.

Ordering Information

Product Description	Part Number
Foxtail SOC LC/UPC 3mm Hard Boot	FT-HB3-LCUPC-xxx
Foxtail SOC LC/UPC 2mm Hard Boot	FT-HB2-LCUPC-xxx

Ordering Information

Product Description	Part Number
Foxtail SOC LC/UPC 3mm Soft Boot	FT-SB3-LCUPC-xxx
Foxtail SOC LC/UPC 2mm Soft Boot	FT-SB2-LCUPC-xxx
Foxtail SOC LC/UPC 0.9mm Soft Boot	FT-SB9-LCUPC-xxx
Foxtail SOC LC/APC 3mm Hard Boot	FT-HB3-LCAPC-xxx
Foxtail SOC LC/APC 2mm Hard Boot	FT-HB2-LCAPC-xxx
Foxtail SOC LC/APC 3mm Soft Boot	FT-SB3-LCAPC-xxx
Foxtail SOC LC/APC 2mm Soft Boot	FT-SB2-LCAPC-xxx
Foxtail SOC LC/APC 0.9mm Soft Boot	FT-SB9-LCAPC-xxx

xxx = Fibre Type OM1, OM2, OM3, OM4 & OS2

Product Specifications

Ferrule	<ul style="list-style-type: none"> • Out dia : 1.25mm • Material : Zirconia • Polishing : UPC, APC Available
LC Connector	<ul style="list-style-type: none"> • Housing: Telcordia standard colour available : Green, Blue, Grey • Boot : Hard Type, Soft Type Boot available 1.0 - 3.0mm cable : Soft Type Boot 0.9mm cable
Fibre	<ul style="list-style-type: none"> • Fibre available : All type on request

ST Optical Characteristics

		Single Mode	Multi - mode
Insertion Loss		0.15 dB(average) 0.3 dB(maximum)	0.1 dB(average) 0.3 dB(maximum)
Return Loss	UPC	≤ -50dB	≤ -20dB
	APC	≤ -60dB	